

MAIN ENGINE AND PROPULSION

ONE FOUR STROKES MAK ENGINE, 8M43C TYPE, 8 CYLINDERS IN LINE, COUNTER-CLOCKWISE ROTATION, NON-REVERSIBLE, TURBO-CHARGED, INTER-COOLED WITH DIRECT FUEL INJECTION OF 8000 KW AT 500 RPM. ONE ZF MARINE TRANSMISSION WITH A GEAR BOX WITH RATIO 3.538:1 AND ONE ZF CP PROPELLER TYPE KH-1200, ABT. 5000MM DIAMETER AND ABOUT 139,54 RPM.

ADVANTAGE IS MAIN ENGINE , PROPULSION PAKCEGE , AUX. PACKAGE IS READY IN GERMANY

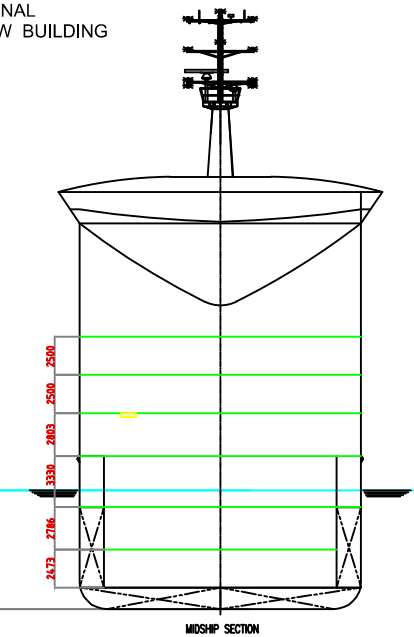
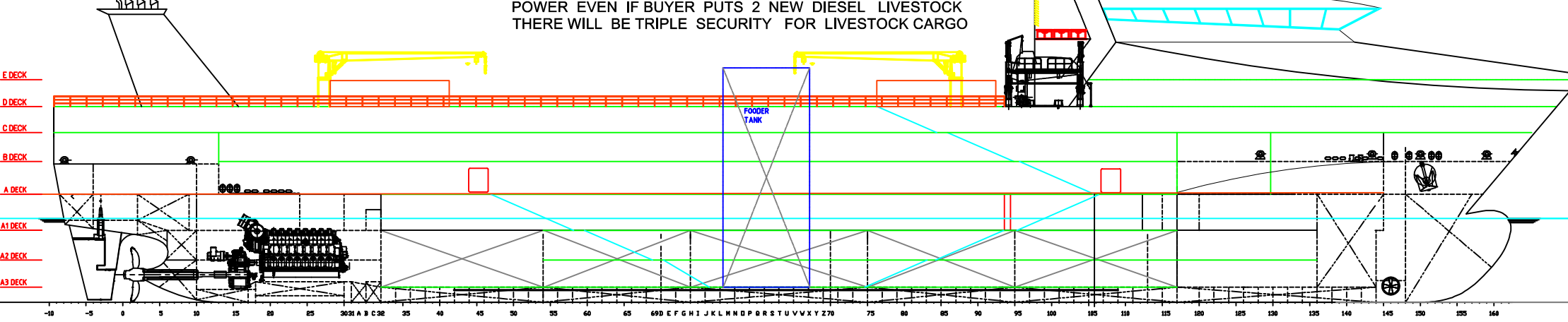
ELECTRIC PLANT

3 DIESEL GENERATORS MAN - LINDERBERG ENGINE AND LEROY SOMMER ALTERNATORS OF 360 KW, AC440 V, 60 HZ AT 1800 RPM, 10 CYLINDERS V-900; 1 AVK SHAFT GENERATOR OF 900 KW, AC 440 V, 60 HZ AT 1800 RPM; 1 EMERGENCY GENERATOR MAN - LINDERBERG ENGINE AND LEROY SOMMER ALTERNATOR OF 150 KW, AC 440 V, 60 HZ AT 1800 RPM, 6 CYLINDERS IN LINE.

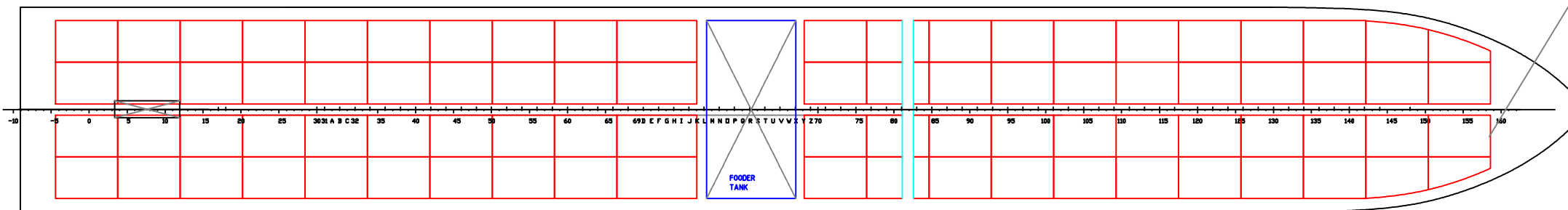
ADVANTAGE IS ELECTRICALLY THERE IS SHAFT ALTERNATOR IS ALREADY 900KW IT COULD BE COMPLY ALL ELECTRICAL SERVICE POWER EVEN IF BUYER PUTS 2 NEW DIESEL LIVESTOCK THERE WILL BE TRIPLE SECURITY FOR LIVESTOCK CARGO

STRUCTURE

STRUCTURE IS FULLY FINISHED AS CONTAINER AND LIVESTOCK ADDITIONAL MODIFICATIONS WILL BE DONE AND IT WILL SAVES TIME ANY KIND OF NEW BUILDING ALSO NEW BUILDING COULD BE CONTINUE INSIDE WATER.



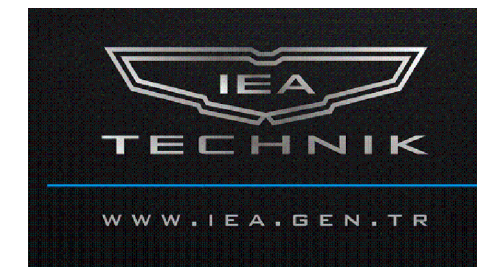
C DECK 1750m²



LOADING AREA

- PEN AREA IS DESIGNED FOR ESPACIALLY BEST RECTANGULAR SHAPE 5,65M X 3,70 M 21 SQM ACCORDING TO AMSA RULES
- PEN AREA DESIGNED IN 3 CORRIDOR FOR GOOD FEEDING & WATERING ALL ANIMAL

This drawing ,design concept,and specifications are property of ILKER ERTUGRUL AKKAN and are furnished on a confidential basis with an expressed understanding that they will not be copied in a manner ,used for manufacture ,sold,transferred, nor used to the detriment of said firm without written permission . the recipient further agrees not to disclose these contents hereof any other parties except for those specific purposes for which this drawing has issued .



İlker Ertuğrul AKKAN
Genel Koordinatör
Gemi İnşa Mühendisi

Sahil Yolu Bulvarı Aydıntepe Mh.
Alize İş Merkezi No: 11 Kat: 1
D: 64 PK 34940 Tuzla/İST.

Tel : +90 216 493 33 03
Fax : +90 216 493 33 03
Mobil: +90 505 389 79 35
Mail : info@iea.gen.tr
Web : www.iea.gen.tr